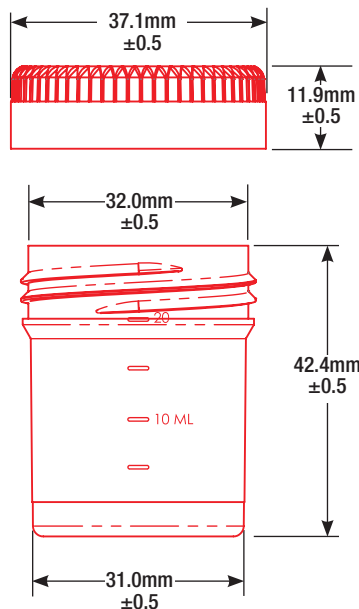


20mL Tite-Rite™ Leak Resistant Container

Item# 6518



Description

Tite-Rite™ containers are the ultimate in leak-tight storage and transport of liquids. Tite-Rite caps are produced from polyethylene and contain an inner liner designed to compress against the uppermost walls of the container, providing an air-tight seal. The containers are ideal for use in hospital pneumatic tube systems.

Features

- Molded graduation marks
- Separate white screw cap
- Leak-resistant
- 95 kPa compliant

Technical Specifications

- Capacity: 20mL (0.67 oz)
- Opening Diameter: 35mm
- Sterility: Non-sterile
- Material:**
- Containers: Polypropylene (PP)
- Caps: Polyethylene (PE)

Products

Item#	Description	Unit
6518	20mL, Tite-Rite™ graduated container with separate white screw cap	1000